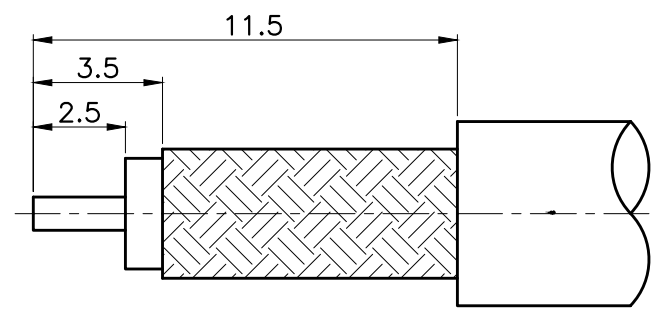


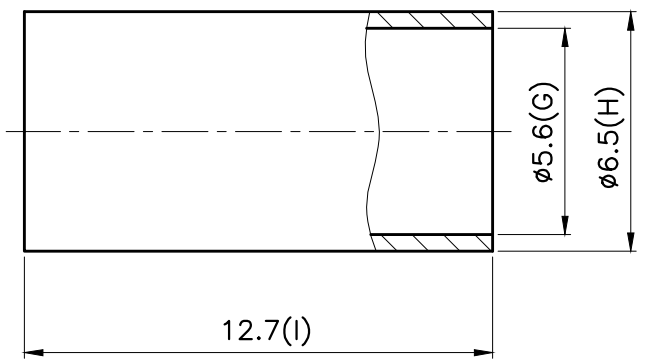
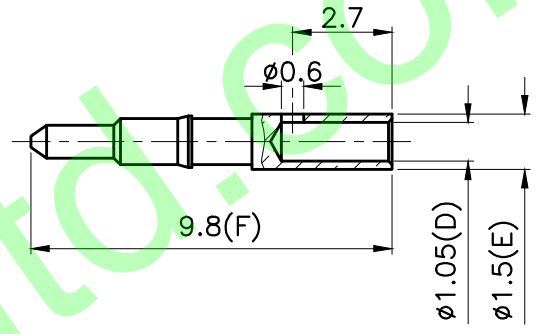
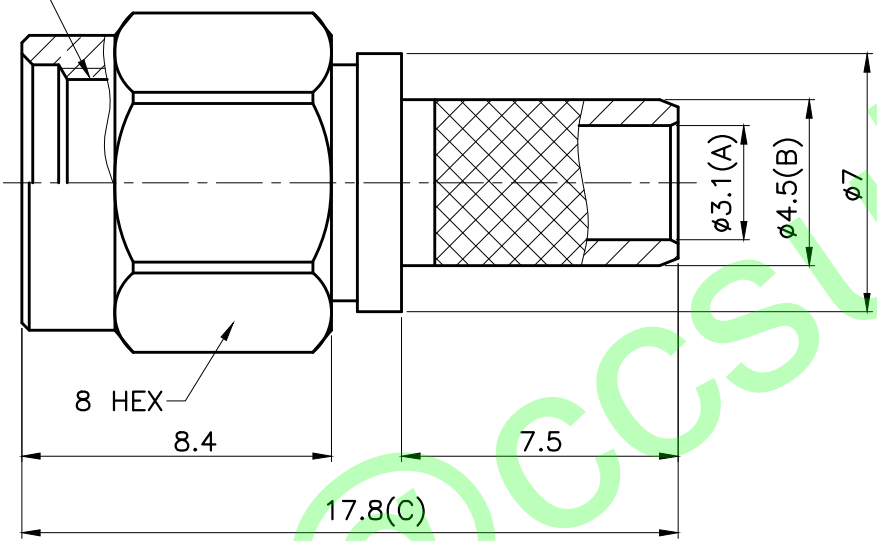
REVISIONS	
ISS	DESCRIPTION\DATE



RoHS COMPLIANT

RECOMMENDED
CABLE STRIPPING DIM'S

1/4-36UNS-2B



1. CRIMPED FERRULE
HEX CRIMP SIZE .213"
2. CRIMPED CONTACT PIN
SQ CRIMP SIZE .042"

CONNECTORS CABLES
CSS
SPECIALISTS LTD.

TITLE: SMA MALE CRIMP LONG BODY
(FOR RG58/U)

APRD:	UNLESS OTHERWISE SPECIFIED TOLERANCES 0.5-6 = ±0.2 >6-30 = ±0.4 >30-120 = ±0.6 >120-315 = ±1 >315-1000 = ±1.6 ANGLES = ±5°	FERRULE	BRASS	GLD
CHKD:		CONTACT PIN	BRASS	GOLD
DR:		BODY	BRASS	GLD
DATE: 03/5/13"	UNIT: mm	INSULATOR	TEFLON	WHITE
SHEET: .	SCALE: 5/1	RING	STAINLESS	NONE
		GASKET	SILICONE	RED
		SHELL	BRASS	GLD
		NO. DESCRIPTION	MATERIAL	FINISH

PART NO: . SMAPCR5801 055